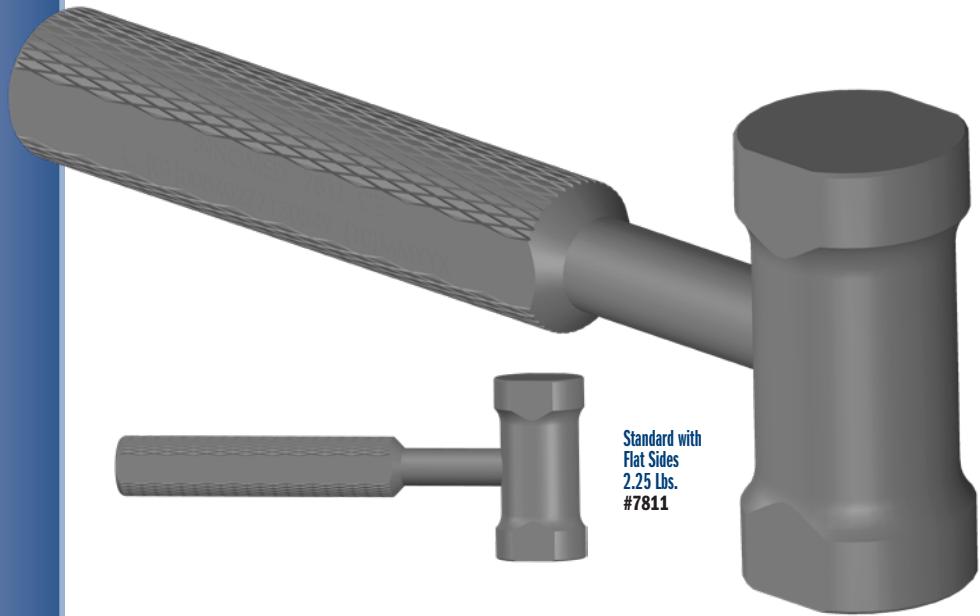


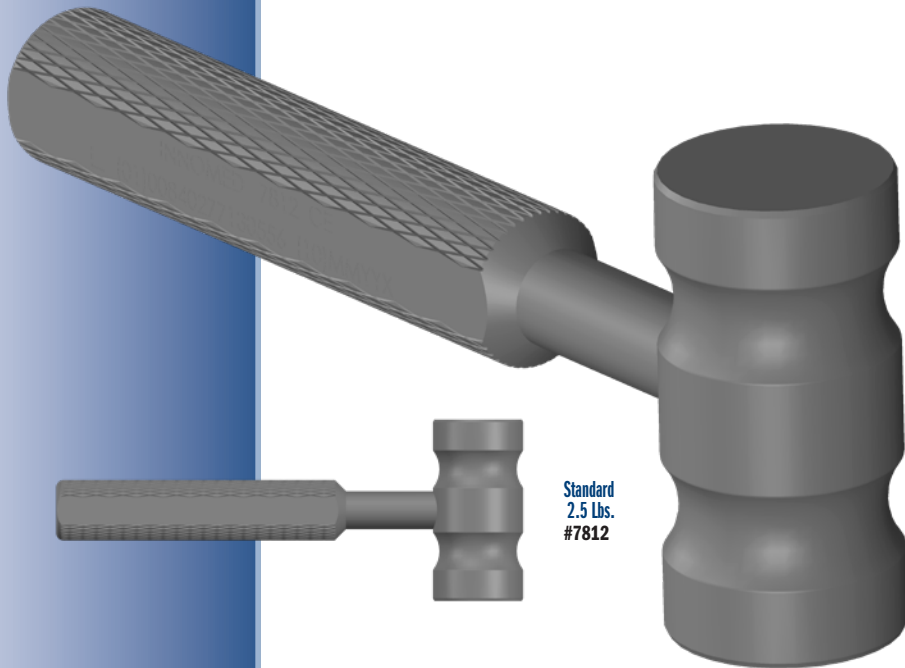
Ortho Mallets

Designed with a larger diameter and longer handle for a better grip—helps to exert force on osteotomes, chisels and other instruments

PRODUCT NO'S:	
7811	[Standard with Flat Sides]
Overall Length: 7.75" (19,7 cm)	
Handle Length: 4.812 (12,2 cm)	
Head Diameter: 1.5" (3,8 cm)	
Head Weight: 2.25 lb. (1.02 kg)	
7812	[Standard]
Overall Length: 7.75" (19,7 cm)	
Handle Length: 4.812 (12,2 cm)	
Head Diameter: 1.5" (3,8 cm)	
Head Weight: 2.5 lb. (1.13 kg)	



Standard with Flat Sides
2.25 Lbs.
#7811



Standard
2.5 Lbs.
#7812

www.innomed.net



FREE TRIAL ON MOST INSTRUMENTS

INNOMED 

ISO 13485:2016



103 Estus Drive, Savannah, GA 31404
info@innomed.net

912.236.0000 Phone
912.236.7766 Fax

Innomed-Europe Tel. +41 41 740 67 74
info@innomed-europe.com

1.800.548.2362