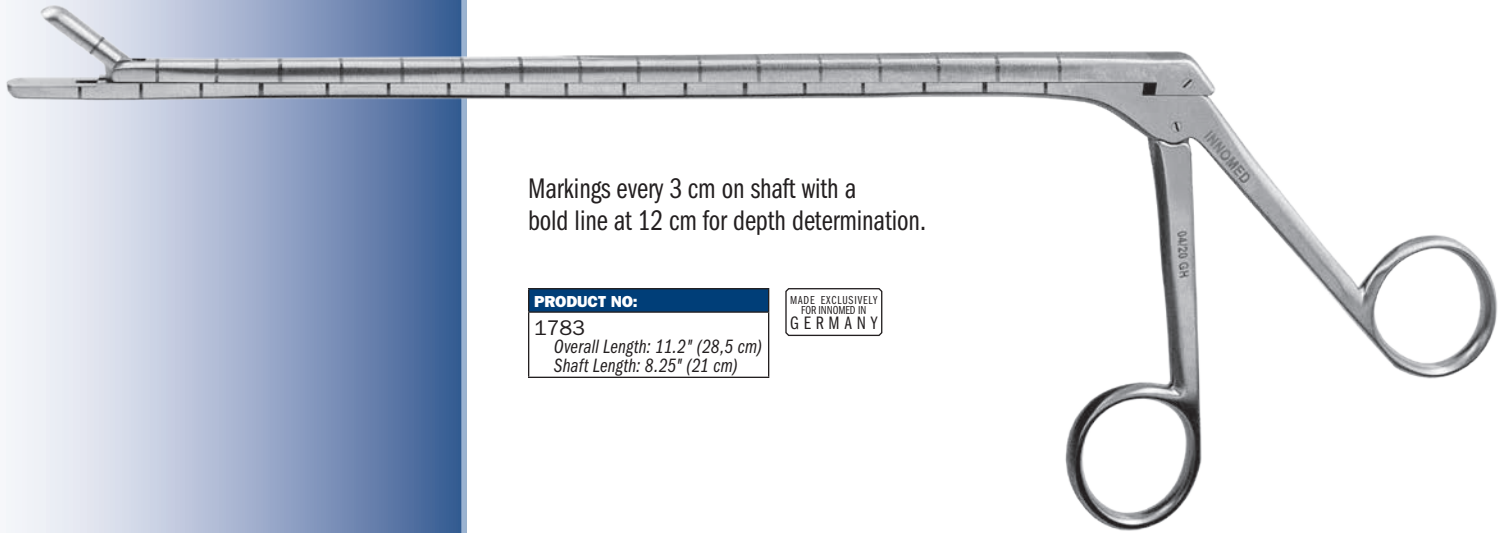
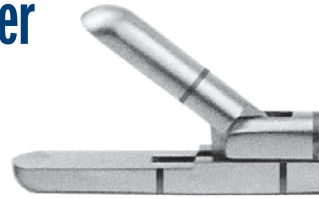


# Kopplin Pain Catheter Insertion Grasper

Designed by Matthew Kopplin, MD

*Designed to help speed workflow with surgeon placement of an adductor pain catheter, the spaced, parallel, flat jaws help allow for secure, atraumatic grasping of the fine catheter tip*



Markings every 3 cm on shaft with a bold line at 12 cm for depth determination.

<b>PRODUCT NO:</b>
1783
Overall Length: 11.2" (28,5 cm)
Shaft Length: 8.25" (21 cm)

MADE EXCLUSIVELY FOR INNOMED IN GERMANY

ISO 13485:2016

FREE TRIAL ON MOST INSTRUMENTS

# INNOMED



103 Estus Drive, Savannah, GA 31404  
www.innomed.net info@innomed.net

912.236.0000 Phone  
912.236.7766 Fax

Innomed-Europe Tel. +41 41 740 67 74  
Fax +41 41 740 67 71

1.800.548.2362

© 2021 Innomed, Inc.