

Kolbel Self-Retaining Retractor Blades



Wide Blades

36 x 36 mm #T1018 36 x 53 mm #T1019 36 x 68 mm #T1020 36 x 85 mm #T1021



Radiolucent Blade ▶

Carbon fiber PEEK blade is strong, lightweight, completely radiolucent, can be steam sterilized, and also helps to prevent from marring component surfaces.

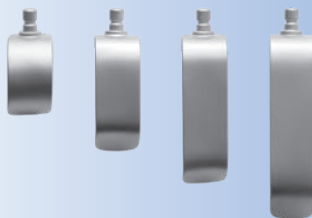
36 x 53 mm
#T1019-R*

*
MADE EXCLUSIVELY
FOR HANDBY IN
SWITZERLAND



Narrow Blades

20 x 36 mm #T1022 20 x 53 mm #T1023 20 x 68 mm #T1024 20 x 85 mm #T1025



New!
OPTION

Knurled Blades for Kolbel Self-Retaining Retractors

Knurled Wide Blades

36 x 36 mm #T1018-K
36 x 53 mm #T1019-K
36 x 68 mm #T1020-K
36 x 85 mm #T1021-K



Knurled Narrow Blades

20 x 36 mm #T1022-K
20 x 53 mm #T1023-K
20 x 68 mm #T1024-K
20 x 85 mm #T1025-K



Designed with a knurled underside to help prevent the blades from slipping

MADE EXCLUSIVELY
FOR HANDBY IN
GERMANY

Kolbel Self-Retaining Glenoid Retractors

Modified Kolbel Self-Retaining Glenoid Retractor with Hinge

Sets include (1) Retractor, (1) Pair of 36 x 36 mm Blades (T1018-P), and (1) Pair of 36 x 53 mm Blades (T1019-P)



PRODUCT NO'S:	
T1014-01	[Set - Standard Handle]
T1014-01-2F	[Set - Ergonomic Handle]
Set Includes:	
T1015-01	[Retractor - Standard Handle] Overall Length: 8.25" (21 cm) Length-to-hinge: 6" (15,2 cm) Arm Length: 2.25 (5,7 cm)
- OR -	
T1015-01-2F	[Retractor - Ergonomic Handle] Overall Length: 9.25" (23,5 cm) Length-to-hinge: 7" (17,8 cm) Arm Length: 2.25 (5,7 cm)
T1018-P	[Blades-Pair] 36 mm X 36 mm
T1019-P	[Blades-Pair] 36 mm X 53 mm



Standard Handle
Retractor Set
#T1014-01

Ergonomic Handle
Retractor Set
#T1014-01-2F

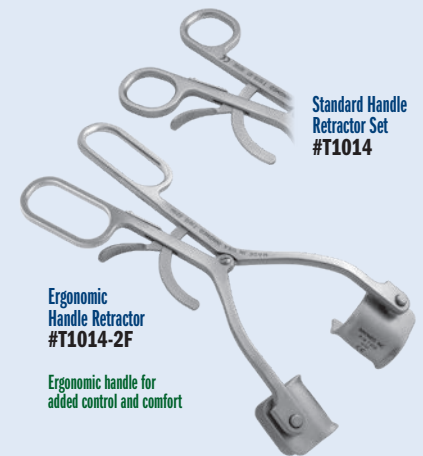
Ergonomic handle for
added control and comfort

Kolbel Self-Retaining Glenoid Retractor

Sets include (1) Retractor, (1) Pair of 36 x 36 mm Blades (T1018-P), and (1) Pair of 36 x 53 mm Blades (T1019-P)



PRODUCT NO'S:	
T1014	[Set - Standard Handle]
T1014-2F	[Set - Ergonomic Handle]
Set Includes:	
T1015	[Retractor - Standard Handle] Overall Length: 8.25" (21 cm)
- OR -	
T1015-2F	[Retractor - Ergonomic Handle] Overall Length: 9.25" (23,5 cm)
T1018-P	[Blades-Pair] 36 mm X 36 mm
T1019-P	[Blades-Pair] 36 mm X 53 mm



Standard Handle
Retractor Set
#T1014

Ergonomic
Handle Retractor
#T1014-2F

Ergonomic handle for
added control and comfort

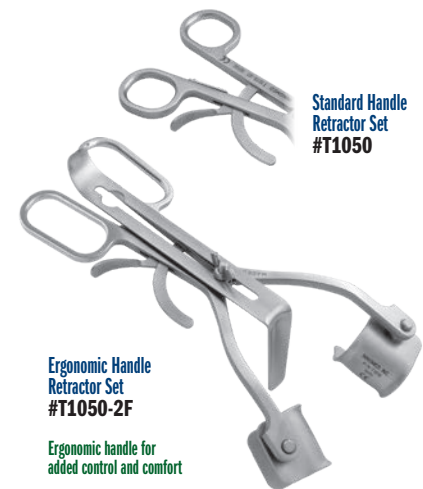
Kolbel Self-Retaining Glenoid Retractor with Center Blade

Center blade can be reversed for shallow or deep retraction

Sets include (1) Retractor, (1) Pair of 36 x 36 mm Blades (T1018-P), and (1) Pair of 36 x 53 mm Blades (T1019-P)



PRODUCT NO'S:	
T1050	[Set - Standard Handle]
T1050-2F	[Set - Ergonomic Handle]
Set Includes:	
T1050-01	[Retractor - Standard Handle] Overall Length: 8" (20,3 cm)
- OR -	
T1050-01-2F	[Retractor - Ergonomic Handle] Overall Length: 9" (22,9 cm)
T1050-02	[Center Blade] Length-to-bend: 6.25" (15,9 cm) Depth: 2.5" (6,4 cm)
T1018-P	[Blades-Pair] 36 mm X 36 mm
T1019-P	[Blades-Pair] 36 mm X 53 mm



Standard Handle
Retractor Set
#T1050

Ergonomic Handle
Retractor Set
#T1050-2F

Ergonomic handle for
added control and comfort

— See Other Side for More Kolbel Retractors —

www.innomed.net



INNOMED

ISO 13485:2016

FREE TRIAL ON MOST INSTRUMENTS

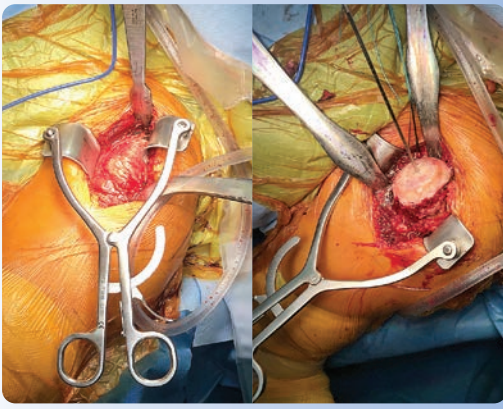


103 Estus Drive, Savannah, GA 31404
info@innomed.net

912.236.0000 Phone
912.236.7766 Fax

Innomed-Europe Tel. +41 41 740 67 74
info@innomed-europe.com

1.800.548.2362



Kolbel Self-Retaining Retractor Blades



Wide Blades

36 x 36 mm #T1018 36 x 53 mm #T1019 36 x 68 mm #T1020 36 x 85 mm #T1021



Radiolucent Blade ▶

Carbon fiber PEEK blade is strong, lightweight, completely radiolucent, can be steam sterilized, and also helps to prevent from marring component surfaces.

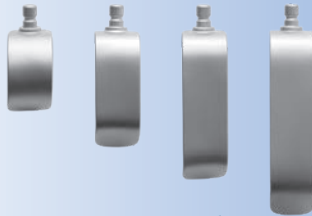
36 x 53 mm
#T1019-R*

*
MADE EXCLUSIVELY FOR EUROPE IN SWITZERLAND



Narrow Blades

20 x 36 mm #T1022 20 x 53 mm #T1023 20 x 68 mm #T1024 20 x 85 mm #T1025



New!
OPTION

Knurled Blades for Kolbel Self-Retaining Retractors

Knurled Wide Blades

36 x 36 mm #T1018-K
36 x 53 mm #T1019-K
36 x 68 mm #T1020-K
36 x 85 mm #T1021-K



Knurled Narrow Blades

20 x 36 mm #T1022-K
20 x 53 mm #T1023-K
20 x 68 mm #T1024-K
20 x 85 mm #T1025-K



Designed with a knurled underside to help prevent the blades from slipping

MADE EXCLUSIVELY FOR EUROPE IN GERMANY

Kolbel Self-Retaining Glenoid Retractor with Hinge and Double Ergonomic Handle

Set includes (1) Retractor, (1) Pair of 36 x 36 mm Blades (T1018-P), and (1) Pair of 36 x 53 mm Blades (T1019-P)

PRODUCT NO'S:	
T1016-01	[Set]
Set Includes:	
T1016-01-2F	[Retractor] Overall Length: 9.25" (23,5 cm) Length-to-hinge: 7" (17,8 cm) Arm Length: 2.25 (5,7 cm)
T1018-P	[Blades-Pair] 36 mm X 36 mm
T1019-P	[Blades-Pair] 36 mm X 53 mm



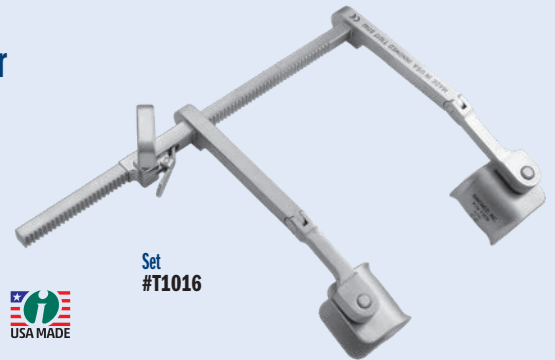
Retractor Set
#T1016-01

Ergonomic handle for added control and comfort

Kolbel Self-Retaining Retractor

Set includes (1) Retractor, (1) Pair of 36 x 36 mm Blades (T1018-P), and (1) Pair of 36 x 53 mm Blades (T1019-P)

PRODUCT NO'S:	
T1016	[Set]
Set Includes:	
T1017	[Retractor] Overall Length: 8.25" (21 cm) Arm Length: 6.125" (15,6 cm) Arm Length-to-hinge: 3" (7,6 cm)
T1018-P	[Blades-Pair] 36 mm X 36 mm
T1019-P	[Blades-Pair] 36 mm X 53 mm



Set
#T1016

– See Other Side for More Kolbel Retractors –

www.innomed.net



INNOMED

ISO 13485:2016

FREE TRIAL ON MOST INSTRUMENTS



103 Estus Drive, Savannah, GA 31404
info@innomed.net

912.236.0000 Phone
912.236.7766 Fax

Innomed-Europe Tel. +41 41 740 67 74
info@innomed-europe.com

1.800.548.2362