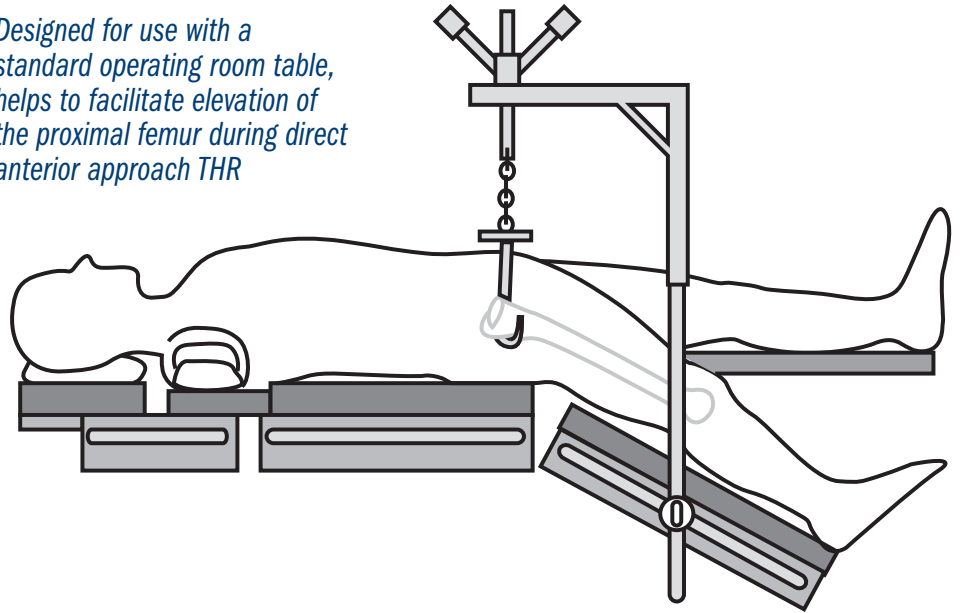




# Wixson Anterior Suspension Hook System

Designed by Richard L. Wixson, MD

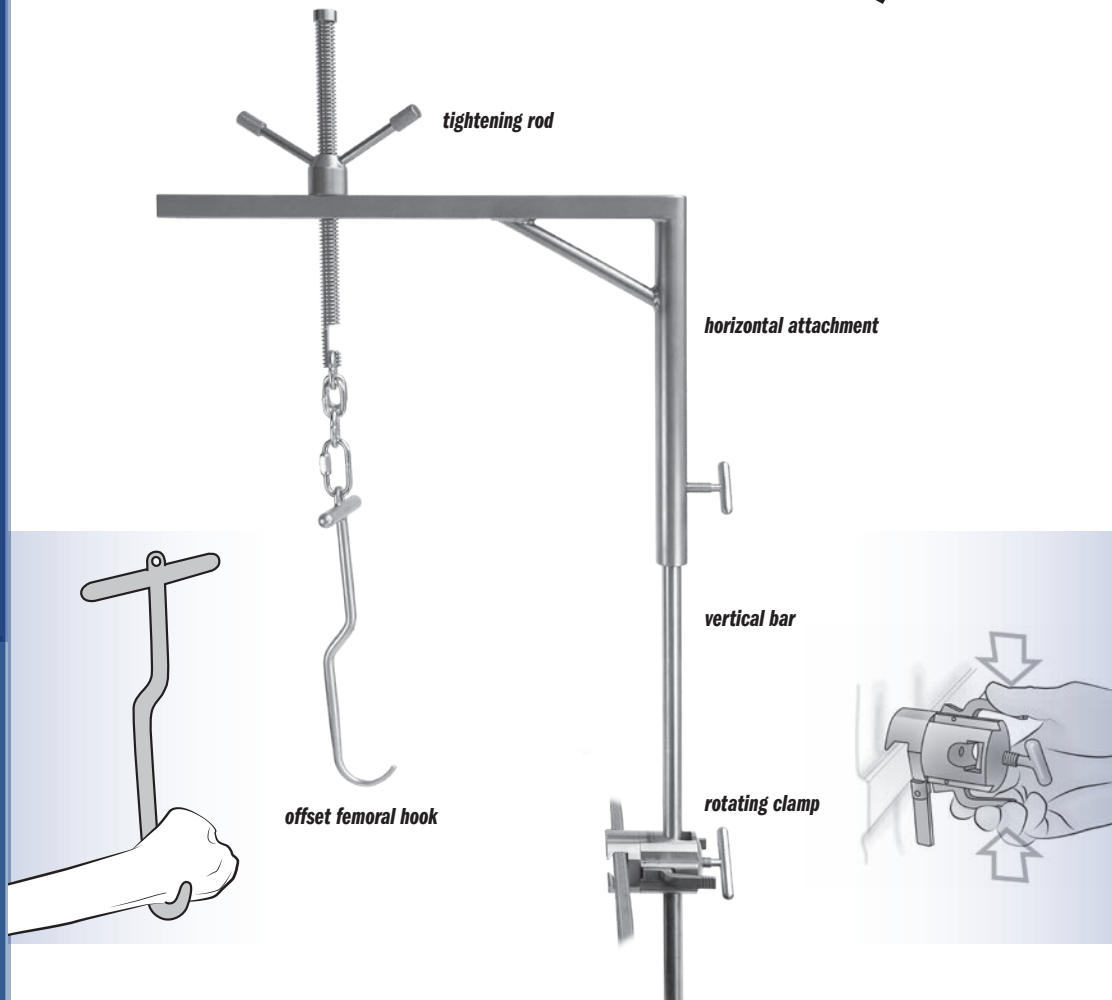
*Designed for use with a standard operating room table, helps to facilitate elevation of the proximal femur during direct anterior approach THR*



*Used for femoral preparation after the acetabular component has been implanted*

The system consists of:

- 1) A **rotating clamp** that can be attached to the operating table side rails over the drapes.
- 2) A **vertical bar** that fits into the clamp and comes above the side of the table.
- 3) A **horizontal attachment** that fits over the vertical bar and can swing over the wound.
- 4) A threaded **tightening rod** that inserts through a slot in the arm of the horizontal attachment and can be used to bring up the proximal femur.
- 5) A large **offset femoral hook** that can be placed above the lesser trochanter and around the posterior femoral neck and trochanter base. The handle of the hook has a chain to attach to the threaded tightening rod coming through the horizontal arm.



**PRODUCT NO:**

6245-00	[Complete Unit]
<b>Replacement Parts:</b>	
6245-01	[Horizontal Attachment]
6245-02	[Tightening Rod]
6245-03	[Vertical Bar]
6245-04	[T-handle Bolt]
6245-05	[Offset Femoral Hook]
9125	[Rotating Table Clamp]

Complete unit includes:  
Tightening rod, horizontal attachment, vertical bar, T-handle bolt, offset femoral hook, and rotating table clamp



ISO 13485:2016

**FREE TRIAL ON MOST INSTRUMENTS**

Scan to Launch Our Website



**INNOMED**



103 Estus Drive, Savannah, GA 31404  
www.innomed.net info@innomed.net

912.236.0000 Phone  
912.236.7766 Fax

Innomed-Europe Tel. +41 41 740 67 74  
Fax +41 41 740 67 71

**1.800.548.2362**