

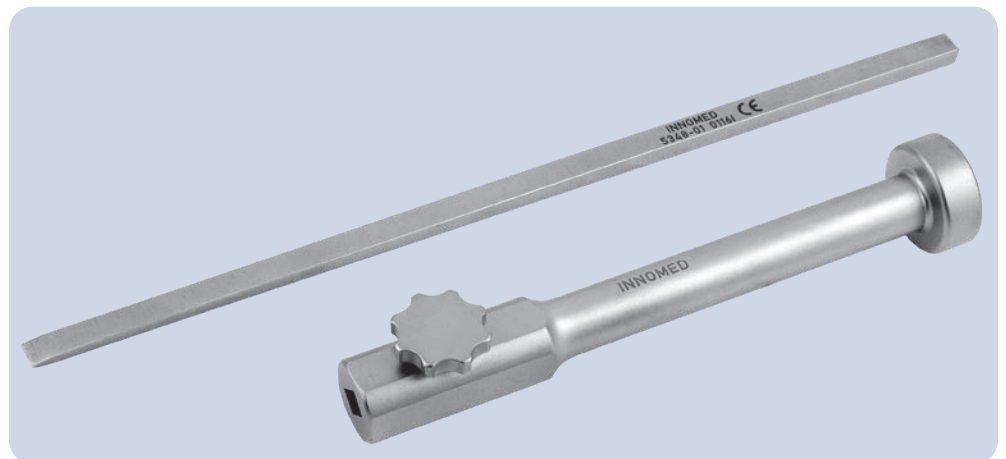
Wagner Osteotome Handle

Handle designed by Russell Wagner, MD

Handle is designed for easier gripping, rotational control, and use with a mallet with a standard 1/4" Lambotte osteotome



PRODUCT NO'S:
5348 [Handle Only] Overall Length: 5.5" (14 cm)
5348-01 [1/4" Osteotome Only] Overall Length: 8.875" (22,5 cm)



www.innomed.net

ISO 13485:2016

FREE TRIAL ON MOST INSTRUMENTS

INNOMED



103 Estus Drive, Savannah, GA 31404
info@innomed.net

912.236.0000 Phone
912.236.7766 Fax

Innomed-Europe Tel. +41 41 740 67 74
info@innomed-europe.com

1.800.548.2362