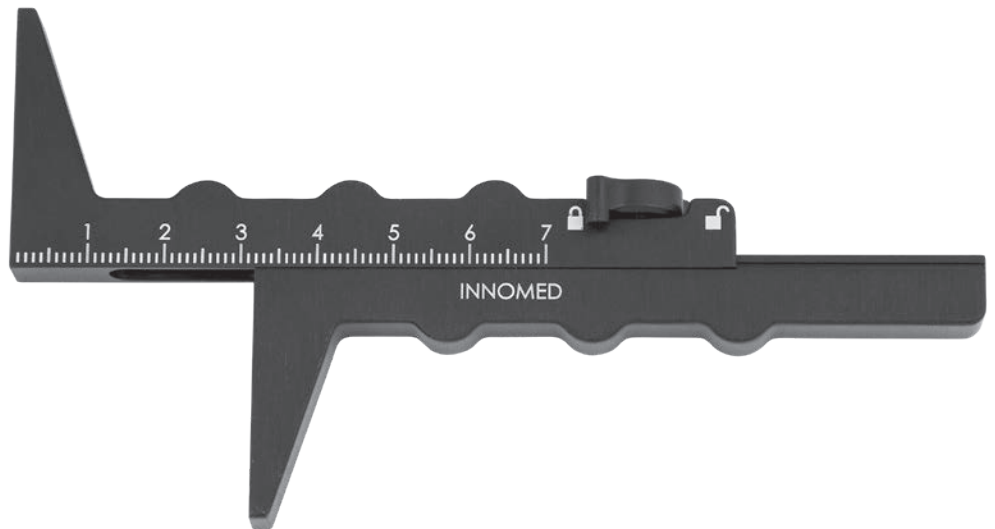




Tibiofemoral Offset Caliper

Designed by Adam Rosen, DO

A locking caliper designed to help accurately measure the offset of the tibia from the surface of the distal femur



PRODUCT NO:

5286

Overall Length: 3.75" - 6.25 (9,5 - 15,9 cm)

Overall Height: 2.75" (17,6 cm)

Width: 8 mm



ISO 13485:2016

FREE TRIAL ON MOST INSTRUMENTS

Scan to
Launch Our
Website



INNOMED 



103 Estus Drive, Savannah, GA 31404
www.innomed.net info@innomed.net

912.236.0000 Phone
912.236.7766 Fax

Innomed-Europe Tel. +41 41 740 67 74
Fax +41 41 740 67 71

1.800.548.2362