



# Robb Leg Positioner

Designed by William Robb, MD

*Provides stable positioning of the knee during surgery*



- ▶ Slotted base allows the leg to be easily flexed or extended during knee surgery
- ▶ Slots are also designed to allow the foot piece to be rotated
- ▶ The complete unit is steam and gas sterilizable
- ▶ Supplied with a sterilizable table clamp which can be clamped over the sterile drape to the O.R. table side bar
- ▶ Three (3) Sterile Pads/Wraps are included with each new purchase (See below for Pad/Wrap information)

PRODUCT NO'S:	
Base Dimensions: 21" x 11" (53,4cm x 27,9cm)	
2630-11 [Leg Positioner with Aluminum Footpiece]	
Optional & Replacement Parts:	
2630-FP [Aluminum Footpiece Only]	
2629-00 [Case of 10 Sterile Pads/Wraps]	
2595 [Table Clamp]	



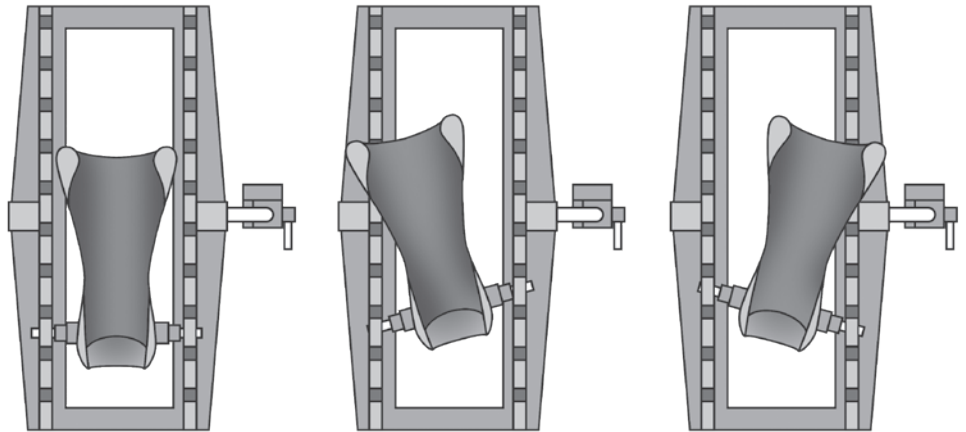
## Leg Positioner Sterile Protective Pad & Wrap

Disposable, latex-free sterile foam pad and cohesive wrap helps protect patient from pressure sores, abrasions and possible neurological impairment while securing foot into the boot.

PRODUCT NO'S:	
2629-00 [Case of 10 Sets]	
2629-L [1 Set]	



Each set includes 1 Pad and 1 Wrap



ISO 13485:2016

**FREE TRIAL ON MOST INSTRUMENTS**

# INNOMED



103 Estus Drive, Savannah, GA 31404  
www.innomed.net info@innomed.net

912.236.0000 Phone  
912.236.7766 Fax

Innomed-Europe Tel. +41 41 740 67 74  
Fax +41 41 740 67 71

**1.800.548.2362**