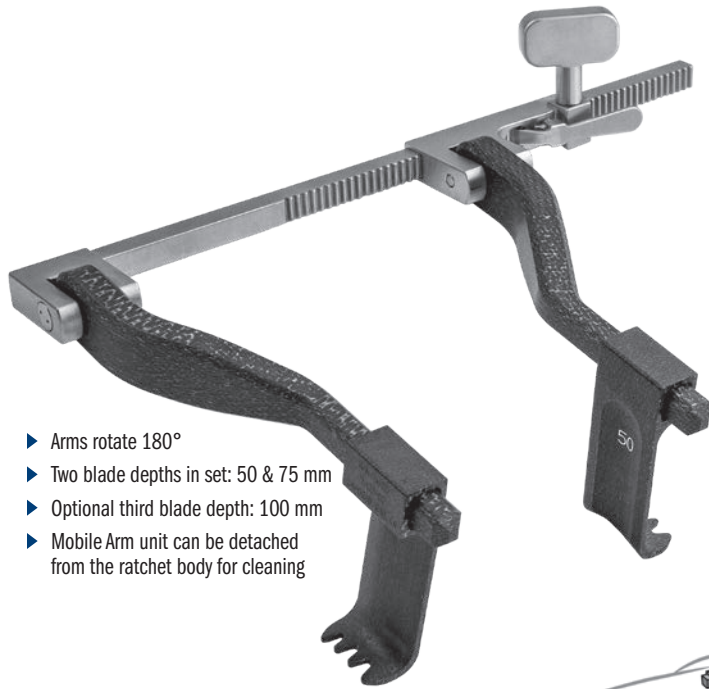


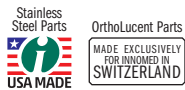
Stainless Steel Hip Surgery Ratchet Frame with OrthoLucent™ Arms and Blades Set

Designed for self-retaining wound exposure, the arms and blades are radiolucent and can be kept in place while using image intensification or taking an x-ray

The OrthoLucent arms and blades are made of a strong, lightweight carbon fiber PEEK composite material, which is radiolucent, helps to prevent from marring component surfaces, and can be steam sterilized.

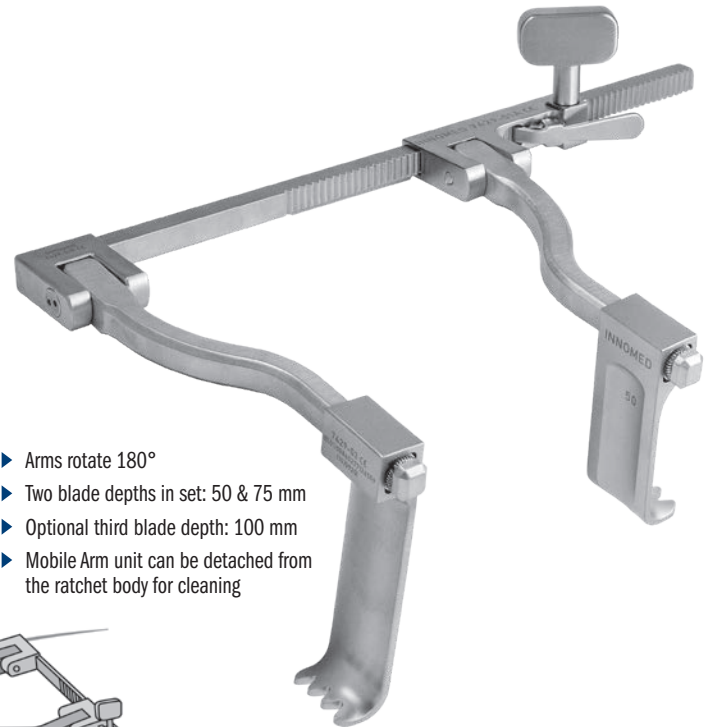


- ▶ Arms rotate 180°
- ▶ Two blade depths in set: 50 & 75 mm
- ▶ Optional third blade depth: 100 mm
- ▶ Mobile Arm unit can be detached from the ratchet body for cleaning

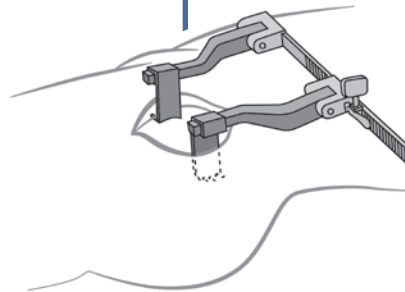


Stainless Steel Hip Surgery Ratchet Frame with Stainless Steel Arms and Blades Set

Designed for self-retaining wound exposure



- ▶ Arms rotate 180°
- ▶ Two blade depths in set: 50 & 75 mm
- ▶ Optional third blade depth: 100 mm
- ▶ Mobile Arm unit can be detached from the ratchet body for cleaning



PRODUCT NO'S:	
7428-00	[Stainless Steel Ratchet Frame with OrthoLucent Arms & Blades Set]
Set Includes / Available Individually:	
7428-01	[Stainless Steel Ratchet Frame with OrthoLucent Arms Assembly] Dimensions (Flat): 10" x 5.625" (25,4 cm x 14,3 cm) Arms Extend: 4.25" (10,8 cm)
7427-02	[50 mm OrthoLucent Blade] Dimensions: 50 mm Deep X 25 mm Wide
7427-03	[75 mm OrthoLucent Blade] Dimensions: 75 mm Deep X 25 mm Wide
Optional Blade – Not Included in Set:	
7427-04	[100 mm OrthoLucent Blade] Dimensions: 100 mm Deep X 25 mm Wide



(1) 50 mm & (1) 75 mm blade included in set.
Optional 100 mm blade available separately.

PRODUCT NO'S:	
7429-00	[Stainless Steel Ratchet Frame with Stainless Steel Arms & Blades Set]
Set Includes / Available Individually:	
7429-01	[Stainless Steel Ratchet Frame with Stainless Steel Arms Assembly] Dimensions (Flat): 10" x 6" (25,4 cm x 15,3 cm) Arms Extend: 4.875" (12,4 cm)
7429-02	[50 mm Stainless Steel Blade] Dimensions: 50 mm Deep X 25 mm Wide
7429-03	[75 mm Stainless Steel Blade] Dimensions: 75 mm Deep X 25 mm Wide
Optional Blade – Not Included in Set:	
7429-04	[100 mm Stainless Steel Blade] Dimensions: 100 mm Deep X 25 mm Wide



(1) 50 mm & (1) 75 mm blade included in set.
Optional 100 mm blade available separately.

ISO 13485:2016

FREE TRIAL ON MOST INSTRUMENTS

INNOMED



103 Estus Drive, Savannah, GA 31404
www.innomed.net info@innomed.net

912.236.0000 Phone
912.236.7766 Fax

Innomed-Europe Tel. +41 41 740 67 74
Fax +41 41 740 67 71

1.800.548.2362

© 2021 Innomed, Inc.