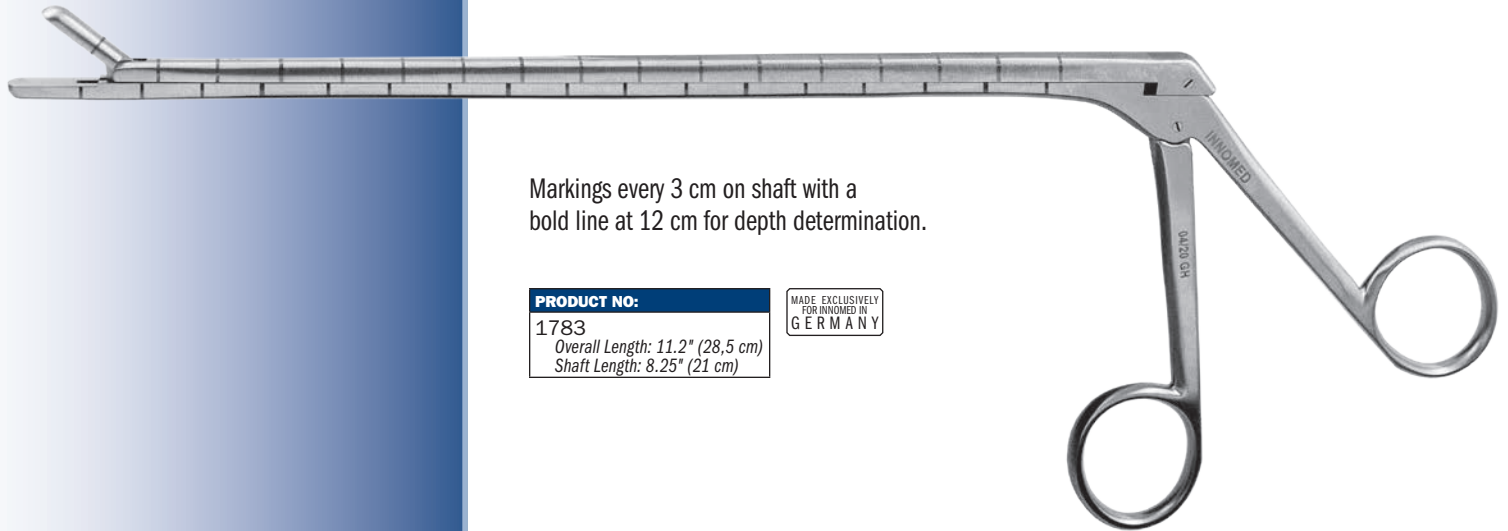
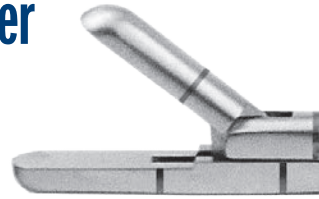


Kopplin Pain Catheter Insertion Grasper

Designed by Matthew Kopplin, MD

Designed with flat plate jaws and no teeth to help grasp a small pain catheter tip, allowing for insertion of the pain catheter without damaging the tip



Markings every 3 cm on shaft with a bold line at 12 cm for depth determination.

PRODUCT NO:
1783
Overall Length: 11.2" (28,5 cm)
Shaft Length: 8.25" (21 cm)

MADE EXCLUSIVELY FOR INNOMED IN GERMANY

ISO 13485:2016

Scan to Launch Our Website



FREE TRIAL ON MOST INSTRUMENTS



103 Estus Drive, Savannah, GA 31404
www.innomed.net info@innomed.net

912.236.0000 Phone
912.236.7766 Fax

Innomed-Europe Tel. +41 41 740 67 74
Fax +41 41 740 67 71



1.800.548.2362