

Gray Syringe Assist with Ergonomic Handle

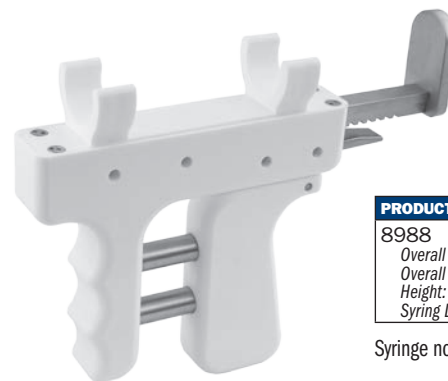
Designed by Robert Gray, MD

For use in the O.R or the office, the design helps to prevent hand fatigue and pain when injecting with a 20mL syringe over multiple cases



Syringe not included.

- ▶ Sterilizable for O.R use, such as injecting the posterior capsule during TKA
- ▶ Especially useful for injecting preoperative local anesthesia for WALANT surgery
- ▶ Uses finger flexors to generate more force over more surface area than only the thumb flexor
- ▶ Ratchet mechanism ensures maximal grip force generation throughout entire injection



PRODUCT NO:

8988

Overall Length - Closed: 5.25" (13,3 cm)

Overall Length - Open: 7.5" (19,1 cm)

Height: 5" (12,7 cm)

Syringe Diameter: 21 mm



Patent Pending

Syringe not included.

ISO 9001:2008 • ISO 13485:2003

FREE TRIAL ON MOST INSTRUMENTS

Scan to
Launch Our
Website



103 Estus Drive, Savannah, GA 31404
www.innomed.net info@innomed.net

912.236.0000 Phone
912.236.7766 Fax

Innomed-Europe Tel. +41 41 740 67 74
Fax +41 41 740 67 71

INNOMED

1.800.548.2362