

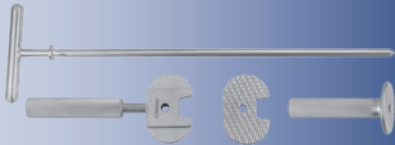
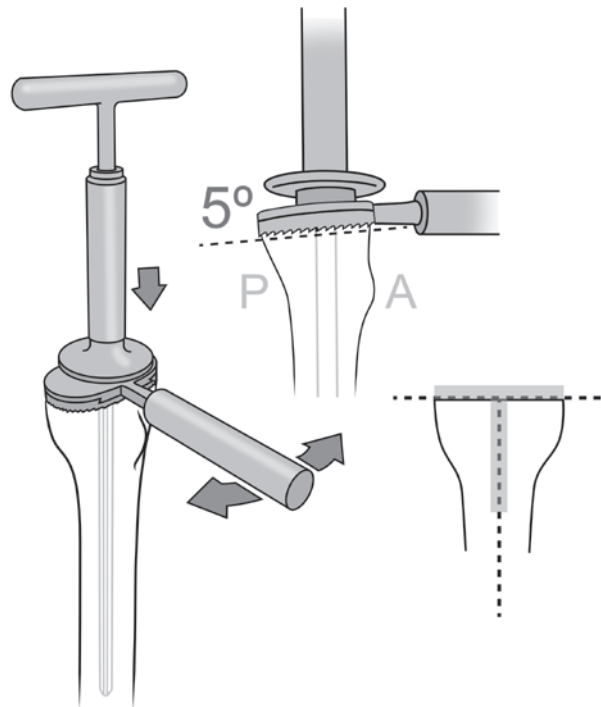
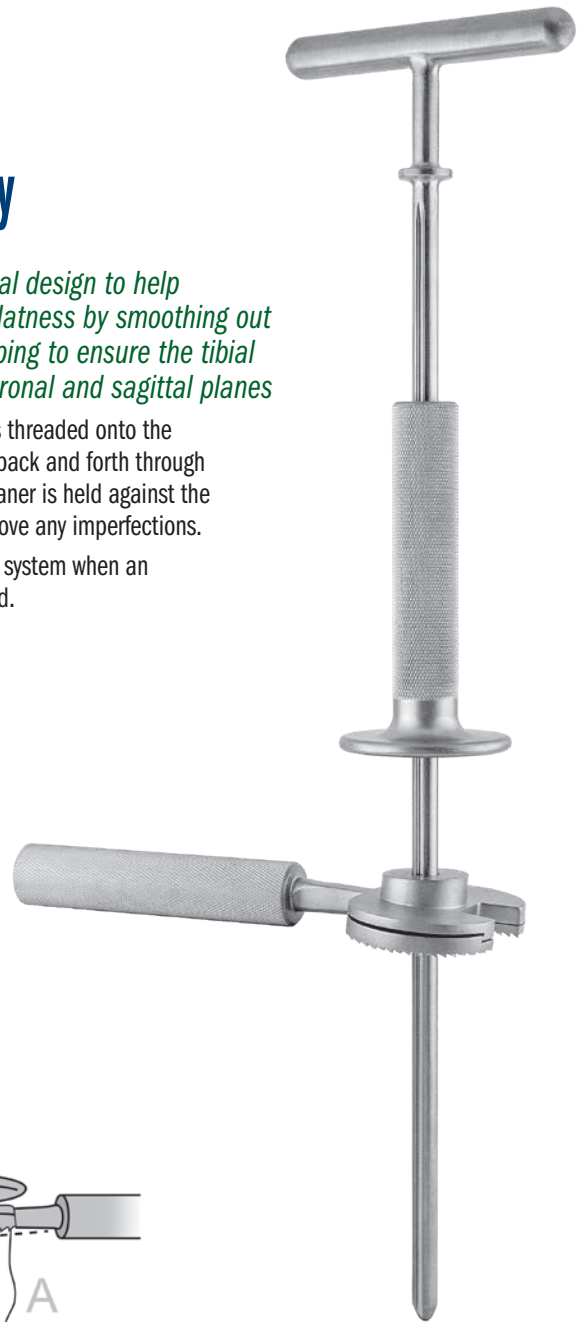
Colwell TKA 5° Tibial Rasp Assembly

Designed by Clifford W. Colwell Jr., MD

A tibial planing tool with a universal design to help improve tibial cut alignment and flatness by smoothing out imperfections intraoperatively, helping to ensure the tibial bone surface is cut correctly in coronal and sagittal planes

After the planer rasp handle/plate unit is threaded onto the intramedullary rod, the handle is moved back and forth through an arc while the cutting surface of the planer is held against the tibial bone, to realign the cut and to remove any imperfections.

For use with any primary or revision knee system when an intramedullary cutting guide is being used.



PRODUCT NO'S:

6900-00 [Complete Assembly]
Overall Length: 15" (38,1 cm)

Set includes:

6901-01 [Rasp Handle]
Overall Length: 6.283" (16 cm)
Handle Length: 3.625" (9,2 cm)

6901-02 [Rasp Plate]
Plate Width: 2.65" (7,7 cm)
Plate Depth: 1.75" (4,3 cm)

6902 [T-Handle Canal Rod]
Overall Length: 15" (38,1 cm)
T-Handle Width: 4" (10,1 cm)

6903 [Handle Grip]
Overall Length: 4" (10,1 cm)



ISO 13485:2016

FREE TRIAL ON MOST INSTRUMENTS

Scan to
Launch Our
Website



INNOMED



103 Estus Drive, Savannah, GA 31404
www.innomed.net info@innomed.net

912.236.0000 Phone
912.236.7766 Fax

Innomed-Europe Tel. +41 41 740 67 74
Fax +41 41 740 67 71

1.800.548.2362