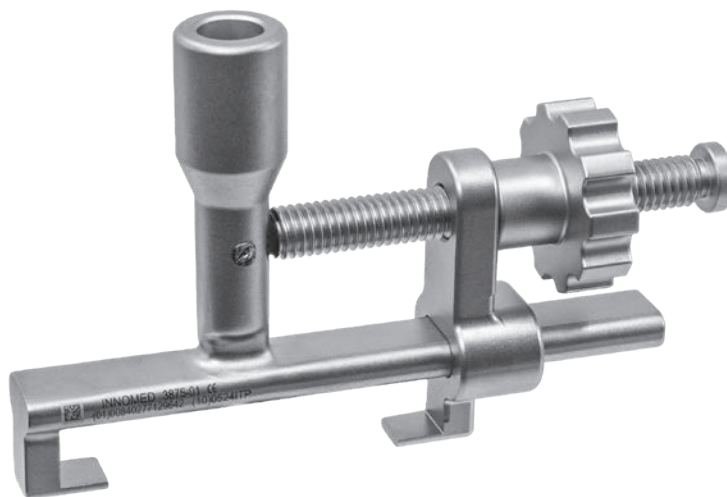


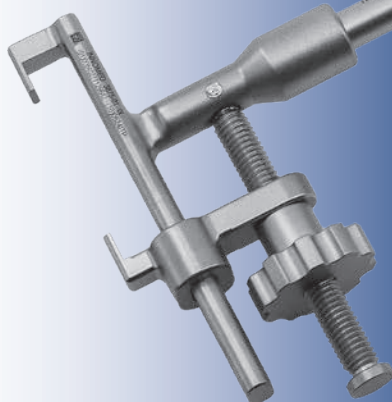
Cannestra TKA Implant Extractor

Designed by Vincent Cannestra, MD

Designed to help remove cemented or cementless TKA implants, including the tibial, femoral, and patellar components, during revision surgery



PRODUCT NO'S:	
3875-00	[Extractor with Standard Slap Hammer]
Kit Includes / Available Individually:	
3875-01	[Extractor Body without Slap Hammer] <i>Body Overall Dimensions: 5" x 3.25" x 1.35" (12,7 x 8,3 x 3,4 cm)</i>
3925	[Standard Slap Hammer] <i>Thread Gauge: 3/8"-16</i>



www.innomed.net



FREE TRIAL ON MOST INSTRUMENTS

INNOMED 

ISO 13485:2016



103 Estus Drive, Savannah, GA 31404
info@innomed.net

912.236.0000 Phone
912.236.7766 Fax

Innomed-Europe Tel. +41 41 740 67 74
info@innomed-europe.com

1.800.548.2362

© 2025 Innomed, Inc.